

### Features

- ⊕ Rugged metal case construction for commercial and industrial environments.
- ⊕ Variable scanning to ensure signal compatibility.
- ⊕ Horizontal size continuously variable between overscan video (4:3) to 1:1 aspect.
- ⊕ Excellent scan regulation.
- ⊕ High resolution linear grey scale (16 discernible levels of black and white.)
- ⊕ Easy access up-front adjustment.
- ⊕ BNC connectors for loopthrough of multiple monitors displaying the identical signal.
- ⊕ Full regulatory approvals.
- ⊕ Differential inputs for use with long cable lengths.

### Benefits

- ⊕ Automatic changeover between 1023, 875, and 525 line, or any rate in-between
- ⊕ Low cost, yet high performance
- ⊕ Very high resolution
- ⊕ Perfect for FLIR, radar, and other high resolution 875-line signals, as well as standard 525-line video

### General Description

SEKAI VEM series monitors are very good news for the users of high resolution monochrome video systems who have been suffering from the high costs and long lead times of those types of monitors in the past.

VEM series monitors are all available in Auto Scan (15-40 KHz) models. These rugged, monochrome, metal enclosed industrial monitors feature high reliability (>25,000 hours MTBF) and are ideal for applications such as medical imaging, aerospace ground applications, security and process control.

SEKAI also offers other variable line rate monitors in screen sizes 15", 17", and 23".



VEM-94

VEM-124

### Specifications

<b>Maximum Resolution:</b>	1000 Lines at 31.5 KHz; 1024 pixels at 36KHz
<b>Bandwidth:</b>	30 MHz
<b>Horizontal Frequency:</b>	15-40 KHz
<b>Vertical Frequency:</b>	40-90 Hz
<b>Power:</b>	50/60 Hz 90-264 VAC (Automatic)
<b>User Controls:</b>	On/Off Switch Horizontal Centering Horizontal Size VTR Switch Vertical Size Brightness Contrast A/B Switch
<b>Inputs:</b>	A/B BNC with loopthrough (auto terminating) AC Power Cord Socket.

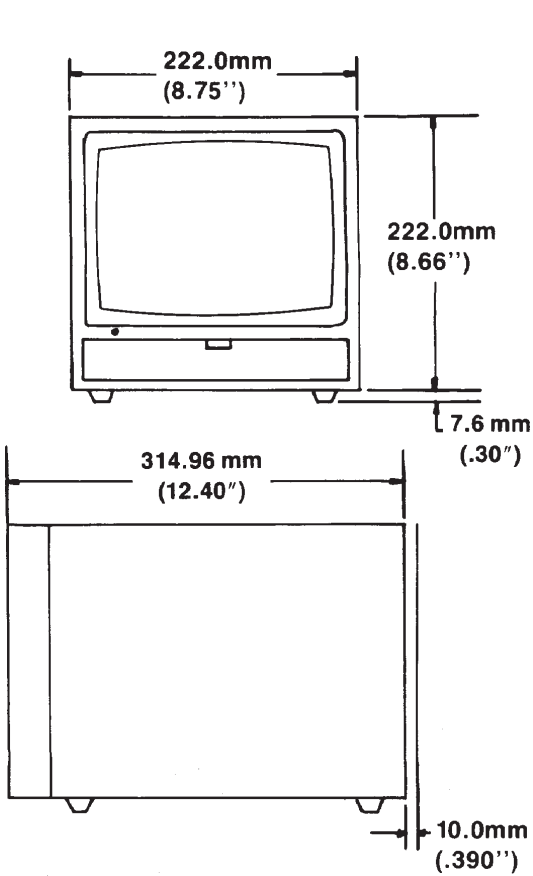
This family is compatible with any EIA standard RS170 input, and most RS-343 inputs.

<b>Regulatory Approvals:</b>	CSA, UL, FCC
<b>Warranty:</b>	1 year parts and labor
<b>Weight:</b>	VEM-94 - 12.0 lb/5.45 kg. VEM-124 - 19.0 lb/8.64 kg.
<b>Shipping Weight</b>	VEM-94 - 19.0 lb/8.64 kg. VEM-124 - 24.0 lb/11.0 kg.
<b>Accessories:</b>	
<b>RAK- XX</b>	Rack mounting Kit for one VEM

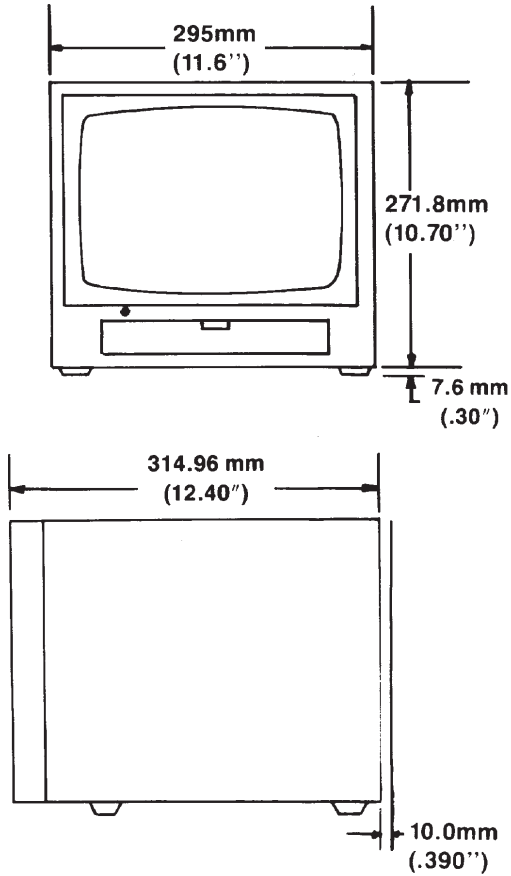
\*Delivery varies depending on stock. Please inquire.  
Specifications subject to change without notice.

SE-33 7/99

# Specifications



**VEM-94**



**VEM-124**

