

FEATURES

- ⊕ Superior Heat Transfer for High Temperature Operation
- ⊕ Wide Dynamic Range and Excellent S/N Ratio
- ⊕ High Sensitivity Complementary Color Filter
- ⊕ High Resolution (470 Horizontal TV Lines)
- ⊕ AGC on-off, Auto White Balance on-off
- ⊕ Ruggedized for Harsh Environments
- ⊕ NTSC/PAL or Y/C Video Output
- ⊕ Miniature Size (See Drawing)
- ⊕ High Speed Shutter Control (Auto Iris CCD)
- ⊕ Optional RS-232 Remote Interface

General Description

The RSC-A375 is a high resolution camera that offers the user outstanding color fidelity and full, broad-band response for high resolution color applications. This camera is excellent in applications such as machine vision, object recognition, medical research, process monitoring, airborne imaging and remote observation. Low light sensitivity is 3 lux at F1.2 thanks to it's 1/2" CCD hyper HAD Imager. The RSC-375 offers many standard features in a compact package including: composite or Y/C output; high speed shutter; TTL (through-the-lens) auto/manual white balance and AGC on/off switch.

For operation with MIL -STD-704 power sources use the optional RPS-77. This rugged power supply and breakout box provide regulated 12 VDC to the camera from 20-30 VDC unregulated. The RPS-77 also provides standard BNC connectors for video output.

Video Specifications

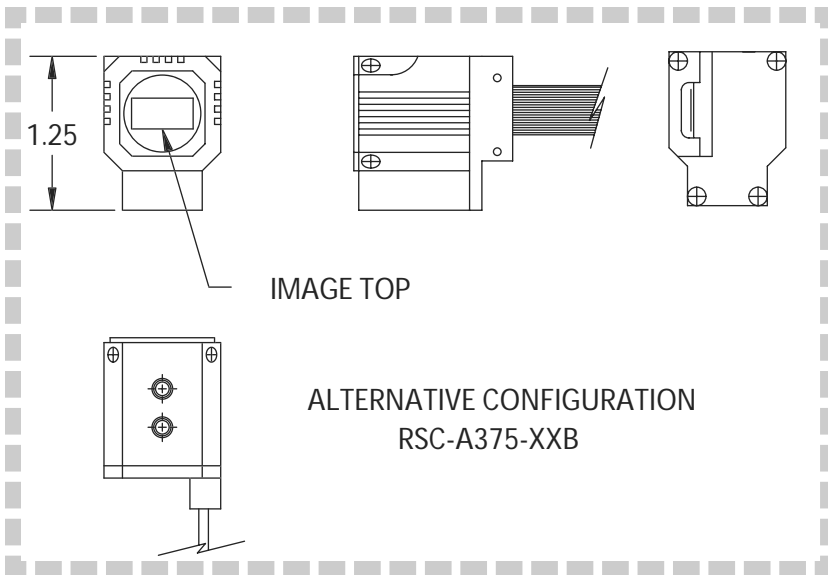
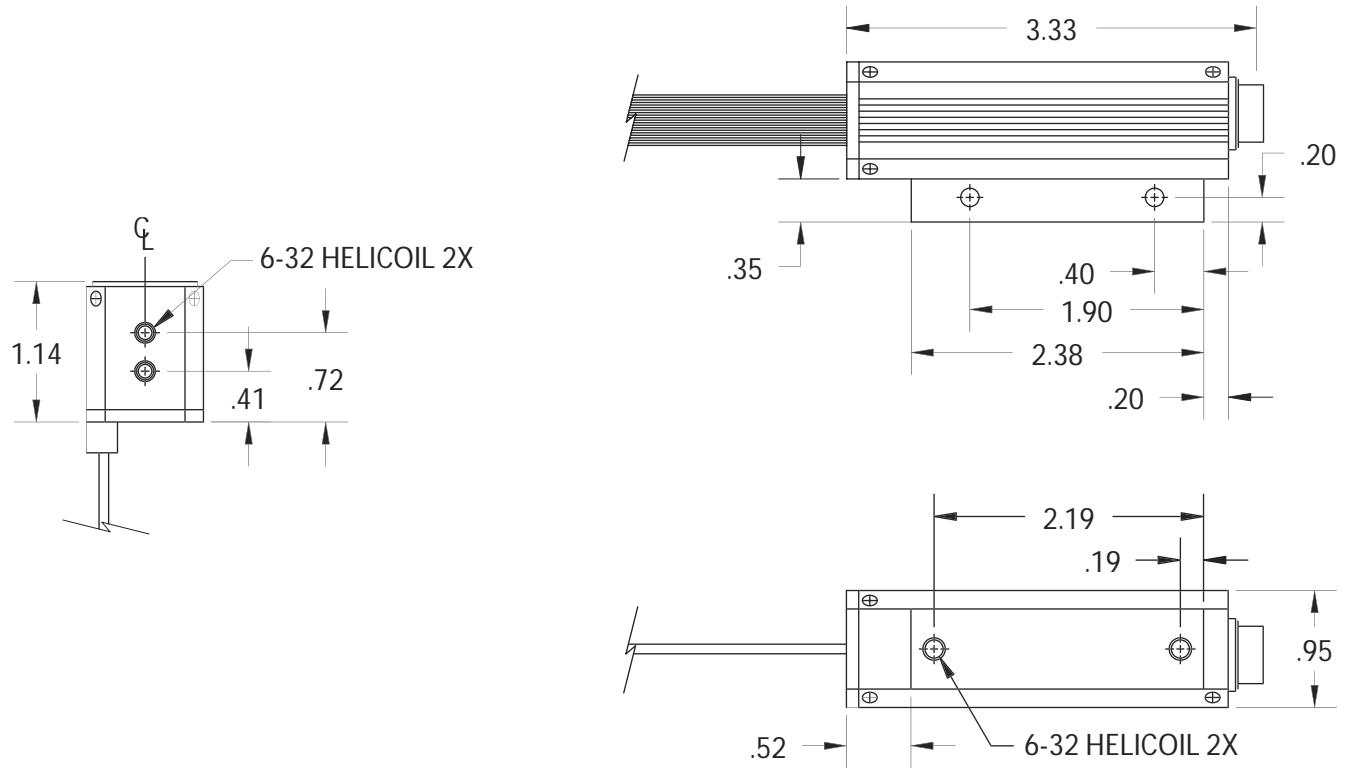
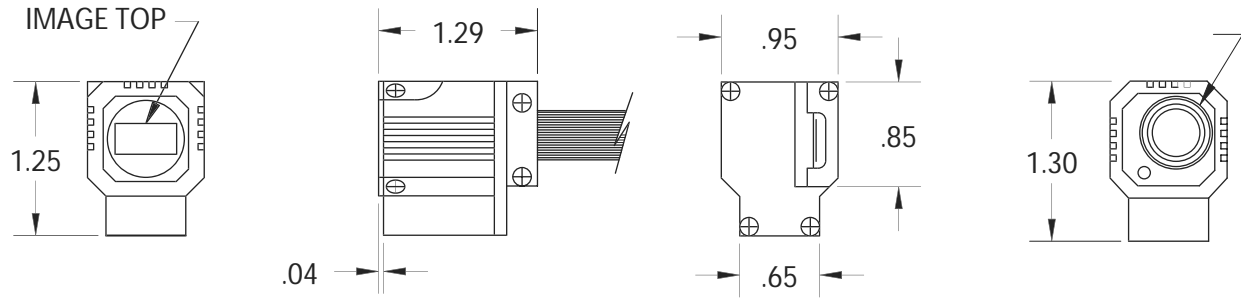
Pick-up Device	Interline transfer Hyper HAD CCD
Picture Elements	768(H) x 494 (V)
Signal Systems	NTSC or Y/C, Selectable
Lens Mounting	17mm, (or C-Mount adaptor)
Sync Systems	Internal/External, HD/VD
Horizontal Resolution	470 TV Lines
Sensitivity	3 Lux@ F 1.2, (AGC on)
Auto Shutter	1/60* to 1/4000 second
Adjustable Shutter	1/60* to 1/100,000 second * 1/50 for PAL version
S/N Ratio	Better than 48 dB
Gamma	0.45/1
AGC	On/Off
Power Requirements	12 VDC, 2 Watts
Additional Feature	CCD electronic auto shutter (auto iris)

Environmental Specifications

Storage Temperature	-55°C to +80°C
Operating Temperature	-40°C to +65°C (+80°C for 30 min.)
Altitude (Norm.Operational)	Sea Level to 60,000 ft.+
Altitude (Non-Operational)	-15,000 ft. to 60,000 ft.+
Altitude (Decompression)	23,000 ft. to 43,000 ft., 15 sec.
Storage Humidity	95% (50°C) to 85% (38°C)
Operating Humidity	5% to 90% relative humidity (non-condensing)
Vibration (Operational)	7G's RMS Random 15-2000Hz
Acceleration (Operational)	12 G's in all axes
Shock (Operational)	9 G's, 11ms half-sine, 3 shocks each direction 20 G's 11ms half-sine, 1 shock each direction
Electro-Magnetic Interference	MIL-STD-461, Radiated Emissions (RE02)
Weight: (with 24 inch cable)	6.2 ounces (176 grams)
(Camera Head)	1.23 ounces (35 grams)



RSC-A375



All measurements in inches