

Features

- 30x Optical, 12x Digital Zoom
- 1/2.8" Sony CMOS Sensor
- Ruggedized
- Wide operating temperature range
- Excellent low light operation
- Sekai worldwide support
- Environmentally sealed housing - IP67
- Analog video output - NTSC/PAL selectable



General Description

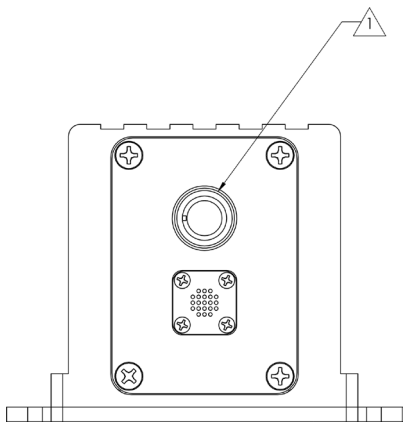
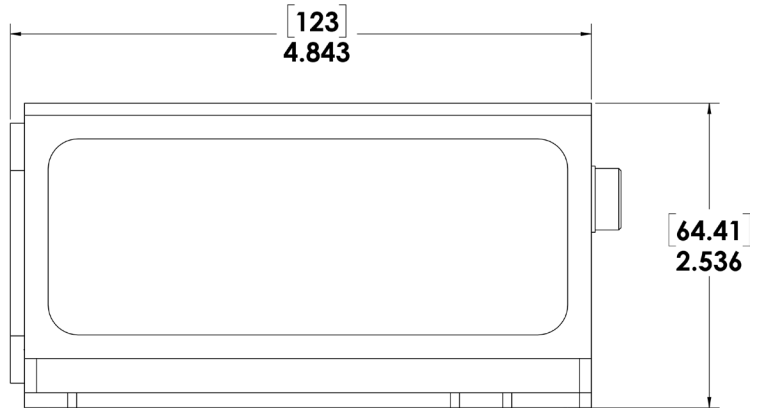
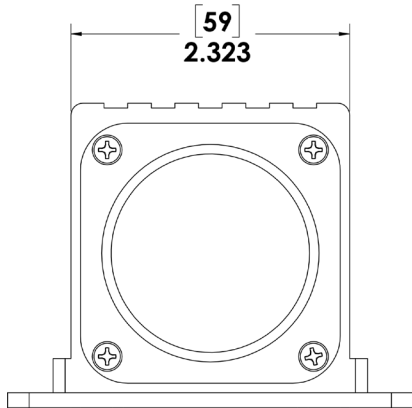
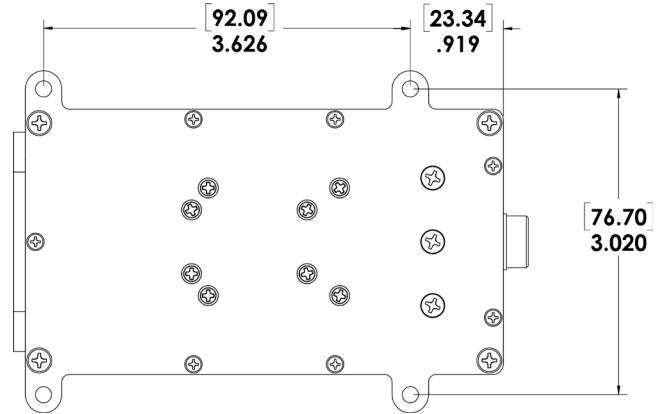
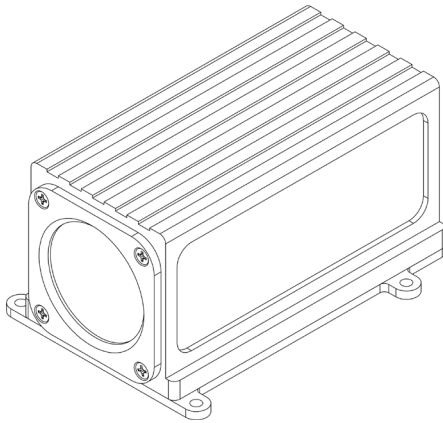
The SRCZ004-C0500SZN030X ruggedized camera incorporates a 1/2.8" back illuminated Sony CMOS sensor which provides high sensitivity and high dynamic range.

Compact and light weight, the camera measures 123 x 59 x 65mm and weights approximately 550grams. The camera can be controlled via the cameras serial interface.

Environmental Specifications

- Storage Temperature -55°C to +80°C
- Storage Humidity 5% to 95% RH, non-condensing
- Operating Temperature -20°C to +60°C
- Operating Humidity 5% to 95% RH, non-condensing
- Altitude -15,000 to 60,000 ft+

Image Sensor:	1/2.8" Sony Exmor R CMOS
Number of Effective Pixels:	Approx. 2.3M pixels
Lens:	30x Zoom, f=4.3mm (wide) to 129.0 mm (tele), F1.6 to F4.7
Digital Zoom:	12x (360x with optical zoom)
Angle of View (H):	63.7° (wide) to 2.3° (tele)
Min. Working Distance:	10mm (wide) to 1200mm (tele)
Sync. System:	Internal
Min. Illumination:	0.0015 lx
S/N Ratio:	More than 50 dB
Electronic Shutter:	1/1 to 1/10,000 sec, 22 steps
White Balance:	Auto, ATW, Indoor, Outdoor, One Push WB, Manual WB, Outdoor Auto, Sodium Vapor Lamp (Fix/Auto/Outdoor Auto)
Gain	Auto/Manual (0 to 50dB)
AE Control:	Auto, Manual, Priority mode, Bright, EV compensation, Backlight compensation, Slow AE
Back Light Compensation:	On/Off
Camera Operation Switch:	No
Video Output:	Analog NTSC/PAL
Camera Control	VISCA (TTL signal level), baud rate:
Interface:	9.6Kb/s, 19.2Kb/s, 38.4Kb/s, 115.2 Kb/s, Stop bit: 1 bit
Weight	550g
Power Consumptions:	3.2W (motors inactive) 4.0W (motors active)



Connector HIROSE PN#: HR10A-10R-12P(73)

Mating Connector: HIROSE PN#: HR10A-10P-12S(73)

Connector Pin Out Description

PIN	Description
1	Ground
2	+12V
3	Ground
4	Analog Video Out
5	Ground
6	No Connection
7	No Connection
8	Ground
9	No Connection
10	TXD
11	RXD
12	Ground