



RSC-B103E Series

Ruggedized Camera with Environmental Housing

Features

- 1/3" Super HAD II CCD Sensor
- Environmentally Sealed Housing High Resolution and Sensitivity
- NTSC (PAL & Monochrome Versions Available)
- VBS or Y/C Video Output
- Superior Heat Transfer for High Temp. Operation
- Wide Dynamic Range and Excellent S/N Ratio
- High Speed Shutter Control (Auto Iris CCD)
- White Pixel Compensation
- Reverse Imaging Capable
- RS-232 Remote Interface w/ Many Options
- Pigtail Cable or MIL Connector Interfaces

General Description

The RSC-B103E series ruggedized camera provides high performance in a small package for high resolution applications. A sealed housing protects the camera from the outside environment, extending the environmental operating specifications. Front protection glass and lens can be changed without removing the camera from the fixture. The flexible design allows for use with several different types of lenses. Low light sensitivity is 1.5 lux at F1.4 thanks to its 1/3" Super HAD II CCD sensor. The camera offers many standard features in a compact package including: composite or Y/C output, high speed shutter, etc. Many camera functions can be controlled via the optional RS-232 interface.

Environmental Specifications*

Storage Temperature	-55°C to +80°C
Operating Temperature	-40°C to +65°C (+80°C for 30 min.)
Altitude (Norm.Operational)	Sea Level to 200,000 ft.+
Altitude (Non-Operational)	-15,000 ft. to 200,000 ft.+
Altitude (Decompression)	23,000 ft. to 43,000 ft., 15 sec.
Vibration (Operational)	7G's RMS Random 15-2000Hz
Acceleration (Operational)	12 G's in all axes
Shock (Operational)	9 G's, 11ms half-sine, 3 shocks each direction 20 G's 11ms half-sine, 1 shock each direction
EMI	MIL-STD-461, Radiated Emissions (RE02)

*Design goals based upon similar products which have been tested



Specifications

Pick-up Device	1/3" Super HAD II CCD
Picture Elements	768(H) x 494 (V)
Signal Systems	VBS or Y/C, Selectable
Lens Mounting	17mm, (or C-Mount adaptor)
Sync Systems	Internal/External, HD/VD
Horizontal Resolution	460 TV Lines
Minimum Illumination	1.5 Lux, @ F1.4 (AGC on)
Sensitivity	2000 lx (F11, AGC off)
Shutter Speed	Up to 1/100,000 sec.
S/N Ratio	46 dB (AGC off)
AGC	On/Off
Power Requirements	10.5-15 VDC, 1.5 W
Weight	Approx. 500 g

Versions

NTSC	RSC-B103E
PAL	RSC-B103PE
MONOCHROME	RSC-BM103E

Available Lenses

- 2.7 mm fl = 83° HFoV
- 4.5 mm fl = 56° HFoV
- 9.0 mm fl = 30° HFoV

*Other lenses available with C-mount adapter and larger lens housing.

Options

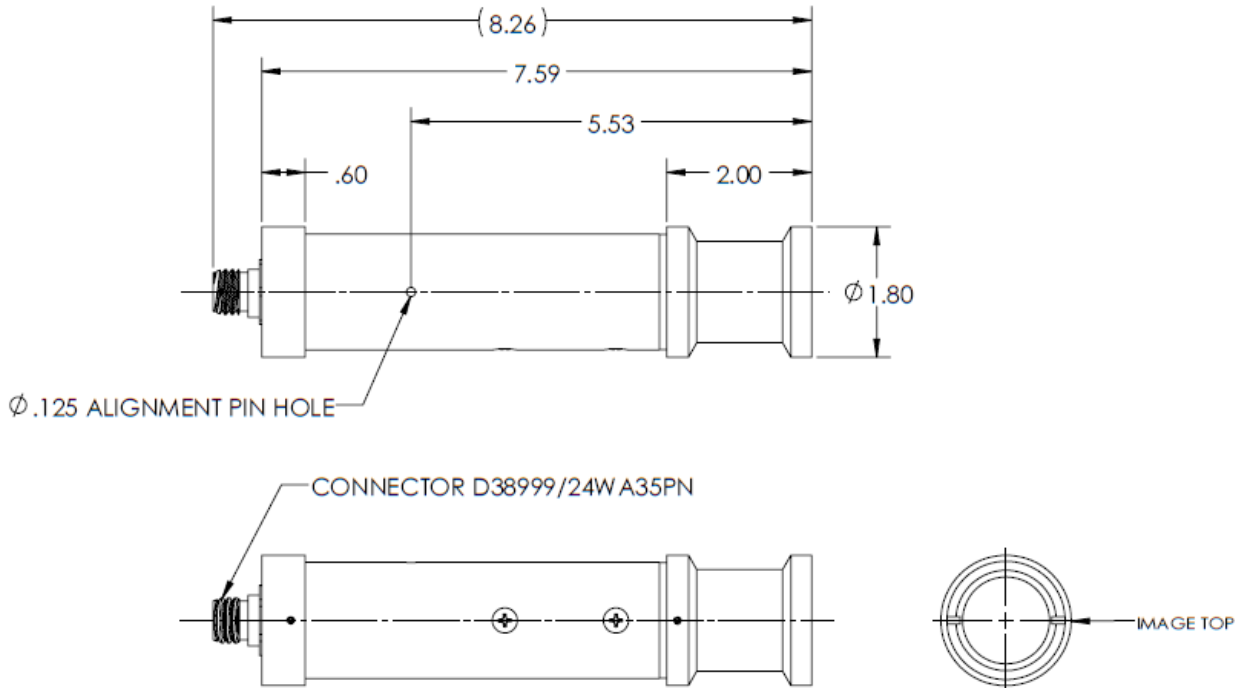
Video Format:	NTSC, PAL, Monochrome
Lens:	As above
Interface:	Pigtail Cable, MIL Connector

*Please contact SEKAI or its sales representative for exact part number for desired configuration.

Specifications are subject to change without notice.

July 2021

[MIL Connector Version]



[Pigtail Cable Version]

