



## Product Overview

The Pentacam is a ruggedized highly integrated 360° Visual Situational Awareness system designed for military and other ruggedized vehicles. The system consists of five centrally located cameras along with an integrated real-time image processing system which merges the outputs from all five cameras into a single transformed view which then allows up to 6 or more users to each look in a specific direction.

## Typical Applications

- Situational Awareness for armored vehicles.
- Remote Forward Observer
- Situational Awareness for remote combat vehicles
- Object recognition and detection

## Features and Electrical Specifications

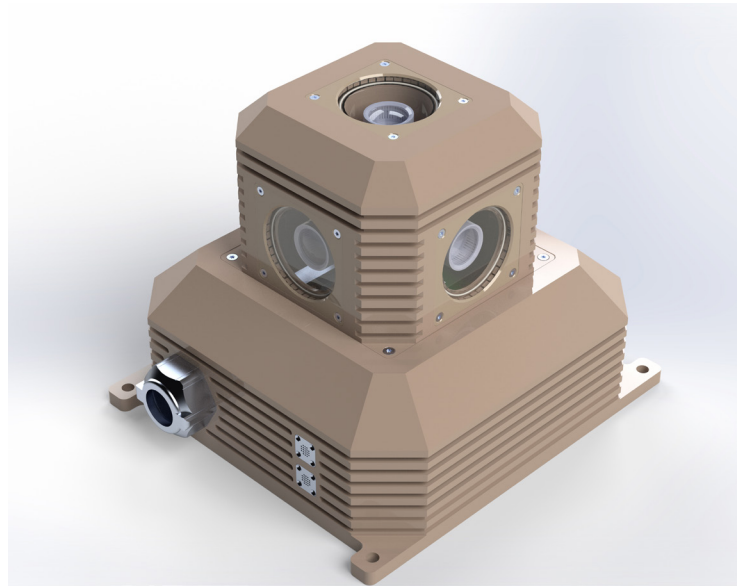
- 5x - 8.1Mpixel sensor cameras and VPU integrated into a single housing
- 360° horizontal views with top coverage
- Each camera has an approximate 102° horizontal and vertical Field of View
- HDMI video output to in vehicle monitors
- Wireless HMD support
- USB 3, HDMI, Gb Ethernet interfaces
- 6+ concurrent *independant* video streams
- Integrated VPU - Video Processing Engine
- Software programmable
- includes Sekai eWindow360 software
- Total Power consumption < 35W

# eWindow360 Pentacam



## 360° Situational Awareness System

Ordering# 800-0000822-000

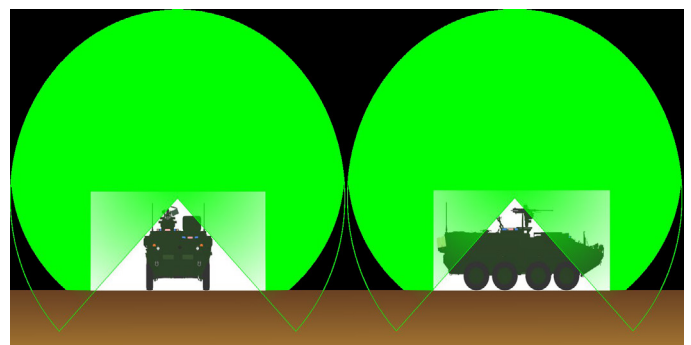


## Environmental Specifications\*

- Storage Temperature -40° to +70°
- Operating Temperature -20° to +60°
- IP66 sealing

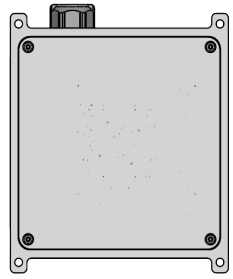
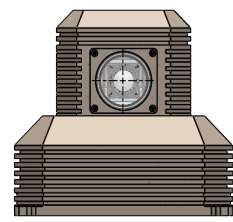
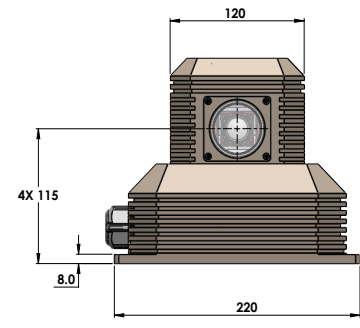
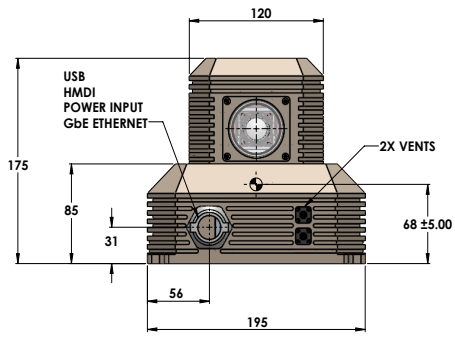
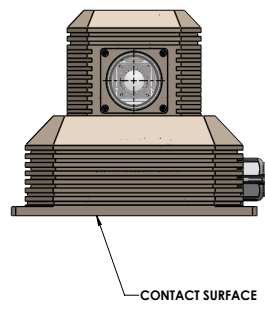
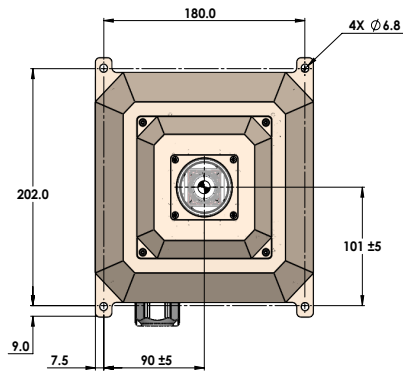
\*Estimates based on similar products, which have been tested

360° Viewing area represented in Green



NOTICE  
 THIS DOCUMENT CONTAINS PROPRIETARY INFORMATION OF SEKAI ELECTRONICS INC. NEITHER RECEIPT NOR POSSESSION THERE OF CONFERS ANY RIGHT TO REPRODUCE, USE OR DISCLOSE IN WRITING OR IN PART, ANY SUCH INFORMATION WITHOUT WRITTEN AUTHORIZATION FROM SEKAI ELECTRONICS INC.

REVISION				
ZONE	REV	DESCRIPTION	DATE	APPROVED
		SEE SHEET 1		



SIZE	CAGE CODE	DWG. NO.	REV
D	8V398	800-0000822-000-ICD	1
SCALE: 1:2			SHEET: 2 OF 2