



lens not included

Features

- 1/1.8" Sony IMX265 CMOS Sensor
- Electronic Global Shutter
- Ruggedized
- Wide operating temperature range
- Excellent low light operation
- Sekai worldwide support
- Environmentally sealed housing - IP67
- HD-SDI output
- HD-BNC connector (mini BNC)
- Analog video output - NTSC/PAL selectable
- C/CS lens mount
- optional adapter to M12 lens mount

Environmental Specifications

- Storage Temperature -55°C to +80°C
- Storage Humidity 5% to 95% RH, non-condensing
- Operating Temperature -40°C to +70°C
- Operating Humidity 5% to 95% RH, non-condensing
- Altitude -15,000 to 60,000 ft+

General Description

The Sekai flashlight camera uses the Sony IMX265 global shutter sensor which eliminates image artifacts and the jello-effect common with rolling shutter sensors. Included is a mini BNC connector providing uncompressed High definition video signals. The industry standard 12 pin Hirose connector provides power and legacy analog video (NTSC/PAL) signals.

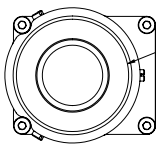
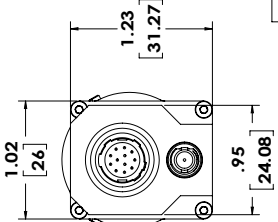
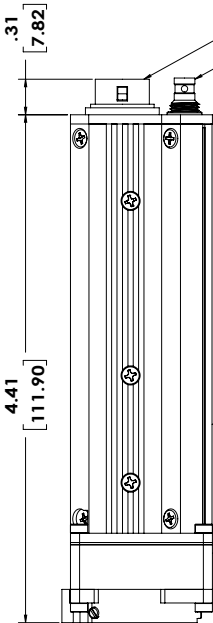
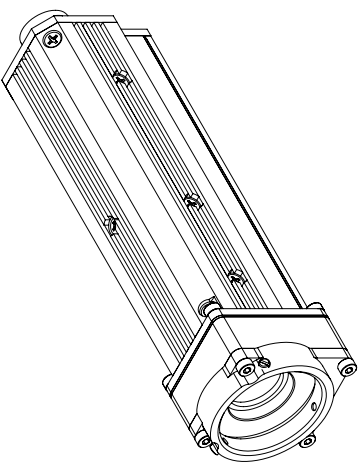
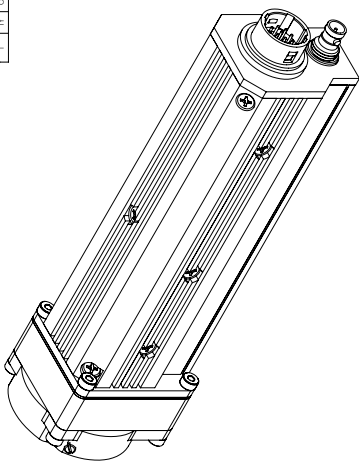
The Sekai flashlight camera operates in a wide range of environmental and lighting conditions including temperatures from -40C to 70C, and lighting conditions from full sun to moon-lit scenes.

Number of Effective Pixels:	3.2Mpixels
Image Sensor:	Sony IMX265 1/1.8" CMOS sensor
Lens:	not included
Lens Mount:	C/CS mount for standard C/CS lens mount lenses
Digital Zoom:	Yes - Programmable
Angle of View (H):	lens dependant
Sync. System:	Internal
S/N Ratio:	More than 50 dB
Electronic Shutter:	Global
White Balance:	Auto, ATW, Indoor, Outdoor, One Push WB, Manual WB, Outdoor Auto, Sodium Vapor Lamp (Fix/Auto/Outdoor Auto)
Gain	Auto/Manual (0 to 50dB)
AE Control:	Auto, Manual, Priority mode, Bright, EV compensation, Backlight compensation, Slow AE
Back Light Compensation:	On/Off
Camera Operation Switch:	No
Video Output:	Digital: SDI Analog NTSC/PAL concurrent operation of digital and analog outputs
SDI modes of operation	1080p60, 1080p50, 1080p24, 1080i60, 720p60, 720p30

NOTICE

THIS DOCUMENT CONTAINS PROPRIETARY INFORMATION OF SEKAI ELECTRONICS INC. NEITHER RECEIPT NOR POSSESSION THEREOF CONFERS ANY RIGHT TO REPRODUCE, USE OR DISCLOSE IN WRITING OR IN PART, ANY SUCH INFORMATION WITHOUT WRITTEN AUTHORIZATION FROM SEKAI ELECTRONICS INC.

REV.	BY	DATE	APPROVED
1	1	08/20/19	
DATE OF THE DRAWING OR PRODUCT CATALOG			



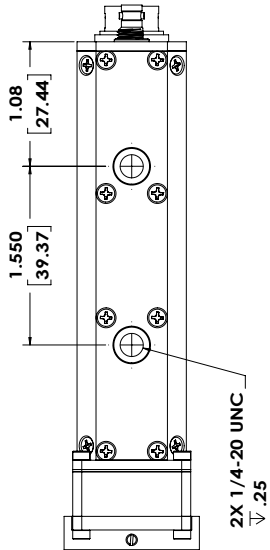
C-MOUNT FOR LENS INSTALLATION

CAMERA SENSOR HEAD

CAMERA ELECTRONICS UNIT

HR10A-10WTR-12P MINI BNC FOR HD-SDI OUT

PIN	SIGNAL
1	12VDC RETURN (GND)
2	+12VDC IN
3	VIDEO OUT (GND)
4	NISC/PAL COMPOSITE VIDEO OUT
5	N/C
6	N/C
7	N/C
8	N/C
9	N/C
10	RS-232C (TXD)
11	RS-232C (RXD)
12	RS-232C (GND)



UNLESS OTHERWISE SPECIFIED DIMENSIONS AND TOLERANCES ARE: X = ±.030 XX = ±.010 ANGLES ±1°		CAD DRAWING DO NOT MANUALLY UPDATE	
DATE: 8/20/19	DRAWN: MAGDICH	DATE: 8/20/19	SEKAI ELECTRONICS INC.
CHECKED:	DESIGN:	DESIGN:	CAMERA ASSY, FLASHLIGHT STYLE
FINISH:	MATL:	SCALE: 2X	SIZE CAGE CODE DWG. NO. REV.
XXXXX	XXXXX	D	8V398 800-0000315-000 4
NOT ASS'D W/	END ITEM DWG	SHEET 1 OF 1	