



Product Overview

The RBC-D4E camera is a ruggedized and compact High Definition color digital video camera. The camera is well protected inside an environmentally sealed aluminum housing, finished in Lusterless Desert Tan and with a scratch resistant sapphire window. The housing provides complete EMI protection, and can “breathe” through a humidity filter, minimizing maintenance requirements during long term storage.

The camera has a dual concurrent legacy analog (NTSC/PAL) video output, which allows the cameras to support legacy installations with a path to digital high definition video output.

The concurrent SDI video output supports SMPTE standards supporting 1080p60, 1080p50, 1080p24, 1080i60, 720p60, 720p30 digital video output modes.

Typical Applications

- Suitable for both water based, ground and air vehicles
- Remote Mission viewing
- Mission Recording and Analysis

Features and Electrical Specifications

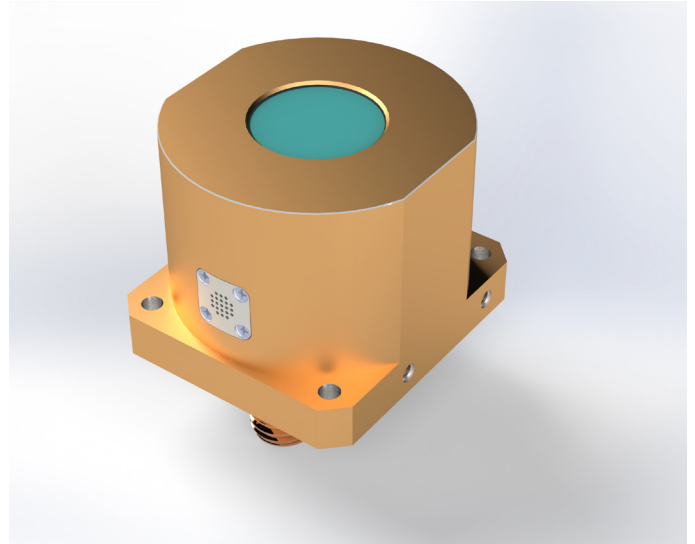
- Sony IMX265 Electronic Global Shutter sensor.
- SDI digital output supporting 3G-SDI (3.0Gbps) and HD-SDI (1.5 Gbps)
- Lens mount supporting a wide array of C and CS mount lenses
- Primary SDI digital video output
 - SMPTE 424M 3Gbps SDI video output support ing 1080p30fps video
 - SMPTE 292M 1.5 Gbps SDI video output support ing 1080p30 video output
- secondard video output
 - NTSC or PAL selectable video output
- 12V DC power input
- 3.5-4.0 W power consumption depending on video output mode
- 5.5mm lens - other lens options available

RBC-D4E



Ruggedized Puck Camera

Ordering# 800-0000681-000



Environmental Specifications*

- Storage Temperature -55°C to +80°C
- Storage Humidity 5% to 95% RH, non-condensing
- Operating Temperature -40°C to +70°C
- Operating Humidity 5% to 95% RH, non-condensing
- Altitude -15,000 to 60,000 ft+

*Estimates based on similar products, which have been tested



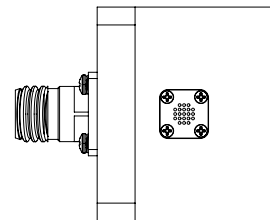
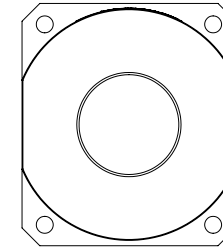
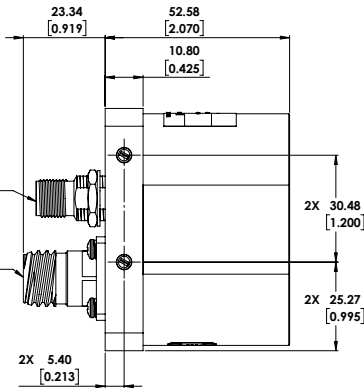
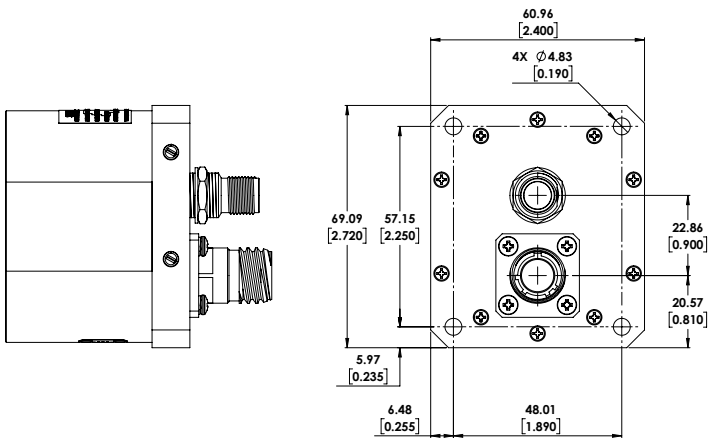
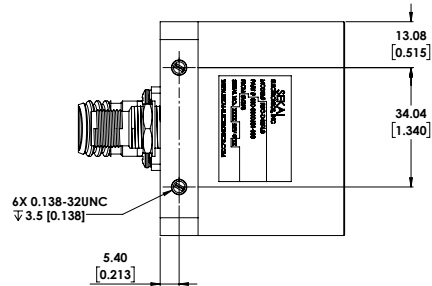
NOTICE
THIS DOCUMENT CONTAINS PROPRIETARY INFORMATION OF
SEKAI ELECTRONICS INC. NEITHER RECEIPT NOR POSSESSION
THEREOF CONVEYS ANY RIGHT TO REPRODUCE, USE OR
DISCLOSE IN WRITING OR IN PART, ANY SUCH INFORMATION
WITHOUT WRITTEN AUTHORIZATION FROM SEKAI ELECTRONICS INC.

NOTE: UNLESS OTHERWISE SPECIFIED

1. WEIGHT: NOT TO EXCEED 425 GRAMS (0.94LB).
2. FINISH: LUSTERLESS DESERT TAN PER FED. STD. 595 #3346
OR PANTONE NO. DS 40-7C OR EQUIVALENT.
3. SEE TABLES BELOW FOR CONNECTOR AND PINOUT INFORMATION.

CONNECTOR J1 D38999-20WA35PN	
CONTACT NUMBER	FUNCTION
1	GND (12VDC RETURN)
2	12VDC
3	VIDEO GND (SHIELD)
4	VIDEO (ANALOG)
5	RS485 (DATA+)
6	RS485 (DATA-)

CONNECTOR J2 ITC RECEPTACLE 75 OHM	
CONTACT NUMBER	FUNCTION
1	VIDEO (SDI)
2	GND



REVISION				
REV	BY	DESCRIPTION	DATE	APPROVED
1	ACS	PRODUCTION RELEASE	20200918	-

UNLESS OTHERWISE SPECIFIED
DIMENSIONS ARE IN MM.
TOLERANCES ARE:
X = ±.5
XX = ±.25
XXX = ±.127
ANGLES = ±30'
DO NOT SCALE DRAWING

CAD DRAWING
DO NOT MANUALLY UPDATE
DRAWN: A.C.SMITH
CHECKED: DATE: 20200918
DESIGN: MAIL

SEKAI ELECTRONICS INC.

**COLOR CAMERA,
RUGGEDIZED, HI DEF,
SDI / ANALOG OUTPUT**

XXXX	XXXX	FINISH
NEXT ASSY DWG	IND REV DWG	HEAT TREAT
APPLICATION		

SIZE D	CAGE CODE 8V398	DWG. NO. 800-0000681-000-DWG	REV 1
SCALE: 2X	SHEET 1 OF 1		